



BK-EX Battery Box



Stainless Steel Battery Enclosure for use in Zone 1 & 21 Hazardous Areas.

***II 2G EEx ed IIC T6
II 2D T80°C***

-20°C to +50°C

IP65

Overview

A rugged stainless steel rechargeable battery enclosure for use in the hazardous area. The enclosure can be used in mobile or fixed applications and is fitted with an ATEX certified outlet socket for easy connection to the equipment. The enclosure cannot be recharged in the hazardous area.

Specification

Housing	Stainless Steel 1.4301
Protection	IP65 dustproof and splash-water protected
Weight	Approximately 15 Kg
Voltage	12VDC or 24VDC
Capacity	20Ah @ 12VDC or 10Ah @ 24VDC
Rechargeable Batteries	2 x Lead Acid Gel, Type Dryfit A 512/10.0 S
Connections	Jack 2 Pin, Type GHG 542 5210 V0
Ambient Temperature Range	Operation: -20°C to +50°C Storage: -30°C to +60°C
Max Charging/Discharge Current	8A
Fully Charged Time	Approx 12 Hours
Recommended Under Voltage cut off Level. (To avoid battery damage by deep discharge)	12v battery pack - 10.5V 24v battery pack - 21v
Charging Environment	Safe Area Only
ATEX Certification	TUV EX5 01 11 38033 014 II 2 G EEx ed IIC T6 II 2 D T80°C

The information contained in this document is subject to change without notice. Extronics cannot be held responsible for any errors or inaccuracies within this document.



TEL: 44 (0) 1279 219175 Email: sales@whatpowersupply.com

www.whatpowersupply.com

326704 Issue 5

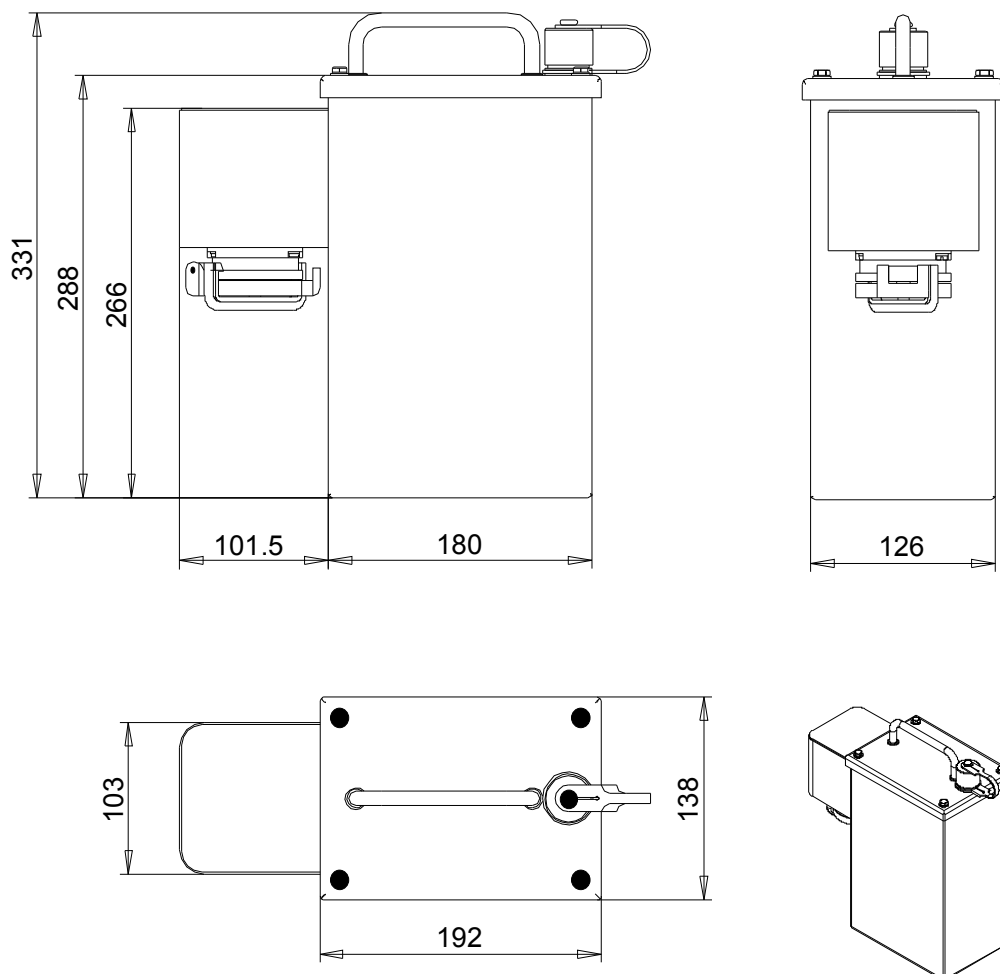


Ordering Information

Description

Part Number

BK-EX Zone 1/21 Battery Enclosure (24V Battery, 10Ah, Stainless Steel Housing with Handle, Outlet Socket, IP65)	4640-358
BK-EX Zone 1/21 Battery Enclosure (12V Battery, 20Ah, Stainless Steel Housing with Handle, Outlet Socket, IP65)	4640-352
BK-EX Battery Charger Outlet Plug	71489210000
Charger for BK-EX-24v Plastic housing, L=135 mm, W=100 mm, H=76 mm. Protection type IP 20. Mains connection 230 VAC, 50/60 Hz, charging current 5A, with Europa plug. Output side fitted with explosion-proof plug, intended for operation in a safe are ONLY.	4911-228
Charger for BK-EX-12v Plastic housing, L=135 mm, W=100 mm, H=76 mm. Protection type IP 20. Mains connection 230 VAC, 50/60 Hz, charging current 1A, with Europa plug. Output side fitted with explosion-proof plug, intended for operation in a safe are ONLY.	4911-362



TEL: 44 (0) 1279 219175 Email: sales@whatpowersupply.com

www.whatpowersupply.com